



**OPERATING INSTRUCTIONS, PRODUCT DESCRIPTION
AND SAFETY INSTRUCTIONS**

• MORE COMFORT • MORE FOCUS • MORE STYLE

nine reloaded is a loading aid for loading and unloading 9x19mm caliber pistol magazines.

CAUTION: Read this manual and the instructions it contains carefully and completely before using your **nine reloaded** loading aid. This manual explains the functions, scope of delivery and handling of your **nine reloaded** loading aid and warns you of potential dangers. The instructions and warnings must be observed in full. The user of the **nine reloaded** charging aid is liable for any failure to observe them.

IMPORTANT: Your **nine reloaded** loading aid was - before it left our factory - carefully produced, assembled, tested several times, checked and packed. **nine reloaded GmbH** cannot control what happens to the loading aid after it has left our factory. Therefore, please check your **nine reloaded** loading aid completely for visible damage or impairments upon receipt to ensure that it is undamaged and fully functional.



nine reloaded GmbH

Bahnhofstraße 33
6710 Nenzing
AUSTRIA

office@multify.at

 [instagram.com/nine_reloaded_official](https://www.instagram.com/nine_reloaded_official)

MADE IN AUSTRIA

Patented in Austria: WO2022/028766A1 [PCT/EP2021/066908]

EU/US patent pending

A product of: nine reloaded GmbH [Austria, FN 551311 b]

TABLE OF CONTENTS

product description and scope of delivery	4
product description	4
suitable rounds (bullets)	4
available adapters for different magazines of different manufacturers	4
other accessories: loading funnel	5
unloading tooth	5
scope of delivery	5
nomenclature	6
assembly and function of the loading aid	7
insertion and removal of the adapter piece	7
insertion of the adapter piece	7
removal of the adapter piece	7
inserting the pistol magazine into the loading aid	8
picking up the ammunition via the quick-loading rail	8
loading the magazine	9
removal of the full magazine	9
single round loading with the loading funnel	10
safety instructions when using the loading funnel	10
important safety instructions for handling the loading aid	11
basic safety instructions	11
misuse (prohibited uses)	11
authorized users	11
environment of use of the loading aid	11
predictable misuse and dangers	12
exclusion from liability and warranty	12

PRODUCT DESCRIPTION AND SCOPE OF DELIVERY

PRODUCT DESCRIPTION

nine reloaded is an advantageous loading aid which enables simple, fast and energy-saving loading of pistol magazines designed for 9x19mm caliber. It can be used for various magazines from different manufacturers via an interchangeable adapter piece. The magazines are loaded from classic 50-bullet-packs using the quick-loading rail provided for this purpose, and from bulk packs using a special loading funnel (available as accessory).

SUITABLE ROUNDS (BULLETS)

The loading aid can be used to load most common 9x19mm caliber rounds.

AVAILABLE ADAPTERS FOR DIFFERENT MAGAZINES OF DIFFERENT MANUFACTURERS

The interchangeable adapter pieces are coded by a Morse code.

The following figure shows the position of the Morse code on the adapter piece:



Adapter	developed for the following magazines	coding
alpha	Glock 9x19mm, double stack (and similar); BUL Army AXE FS/C	● —
bravo	HK P30; HK SFP9	— ● ● ●
charlie	CZ 75 (inkl. CZ Shadow 1/2, P-01, SP-01, 75 compact, 75 omega, etc.); Tanfoglio SF; B&T (usw-a1, mk-II, usw-p); Canik (TP9); Phoenix Redback	— ● — ●
delta	SigSauer P226/P228/P229; Walther PPO M2 / PDP / Q5 SF	— ● ●
echo	SigSauer P320/P250; S&W M&P 9	●
foxtrot	CZ P-10 (inkl. P-07, P-09, exkl. P-10M)	● ● — ●

IMPORTANT

The loading aid and the relevant adapters may only be used with the designated magazines.

OTHER ACCESSORIES: LOADING FUNNEL

nine reloaded is designed for fast reloading of 9x19mm ammunition from classic 50-rounds-packs. For shooters who purchase their ammunition in so-called „bulk packs“, we have designed a so-called „loading funnel“. This loading funnel enables the quick and targeted insertion of single rounds if a pick-up via the quick loading rail is not possible.



UNLOADING TOOTH

The unloading tooth allows bullets to be unloaded from a pistol magazine.



SCOPE OF DELIVERY

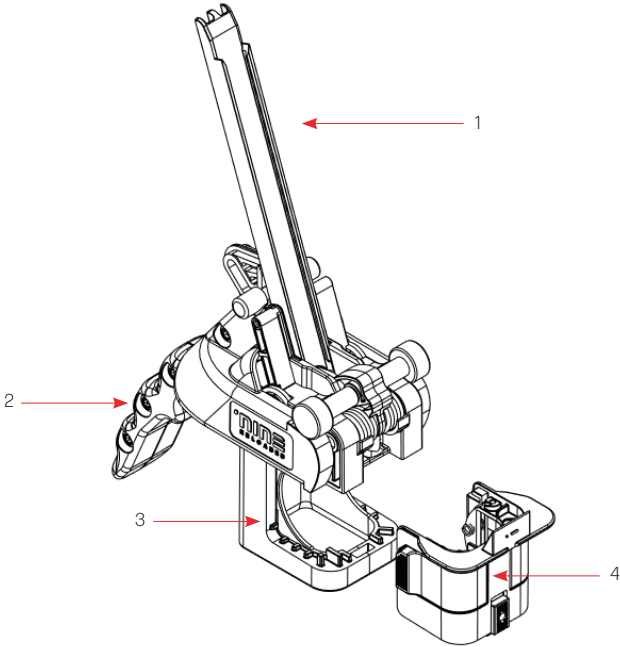
The **nine reloaded** basic set consists of:

- 1x **nine reloaded** loading aid (base body)
- 1x loading funnel
- 1x operating instructions

NOTE: Adapter pieces are not included in this set and can be purchased separately as accessories.

NOMENCLATURE

In the following illustration, the essential components of **nine reloaded** are described in more detail for a better understanding of this manual.



- 1 quick loading rail
- 2 lever
- 3 base body
- 4 adapter piece

ASSEMBLY AND FUNCTION OF THE LOADING AID

In the following, we describe the functionality and correct handling of the **nine reloaded** loading aid.

INSERTION AND REMOVAL OF THE ADAPTER PIECE

insertion of the adapter piece

step 1 of 1: Hold the base body firmly with one hand. Carefully insert the adapter piece with the second hand. You can recognize that it has fully engaged by the clearly heard clicking sound. The adapter piece is designed so that it can only be inserted in one direction.

NOTE: The Morse code marks the upper side of the adapter piece, and this upper side must point in the direction of the quick loading rail when inserting the adapter piece.



removal of the adapter piece

step 1 of 1: Hold the base body with one hand. Grasp the adapter piece with the second hand and simultaneously push the locking slide upward with one finger while pushing the adapter piece outward with another finger.



INSERTING THE PISTOL MAGAZINE INTO THE LOADING AID

step 1 of 1: Hold the base body firmly with one hand. With the other hand, insert the magazine into the loading aid from below. Make sure that the notches in the magazine housing point forward (means: in the opposite direction to the lever).

NOTE: You can tell when the magazine is fully engaged by the clearly heard click sound.



PICKING UP THE AMMUNITION VIA THE QUICK-LOADING RAIL

step 1 of 3: Position the loading aid in a way that the quick-loading rail runs parallel to the stacked bullets in the original packaging.

HINT: Place the ammunition pack on a (table) edge - this makes it easier to pick up the bullets.

step 2 of 3: Guide the rail horizontally over the ammunition to be picked up.

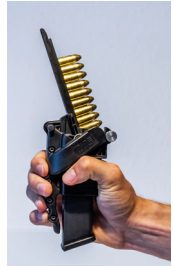
step 3 of 3: Lift the loading aid and tilt it backwards (towards the lever).



LOADING THE MAGAZINE

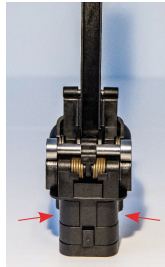
Hold the loading aid so that the rail is vertical and slightly tilted backwards (towards the lever). Now fully press the lever and then fully release it again. Repeat the process until the magazine is fully loaded.

CAUTION: never try to push more rounds into a magazine than the maximum number specified by the manufacturer.



REMOVAL OF THE FULL MAGAZINE

step 1 of 1: Hold the loading aid with one hand and press the two side locking wings on the adapter piece with fingers of the same hand. At the same time, hold the full magazine with the other hand so that it does not fall to the floor.



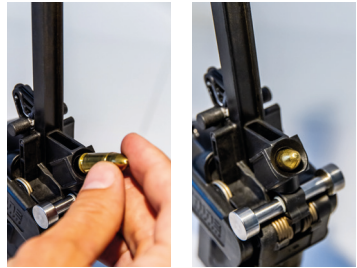
SINGLE ROUND LOADING WITH THE LOADING FUNNEL

step 1 of 3: Insert the loading funnel into the quick loading rail from above, push the loading funnel down in the rail as far as it will go.



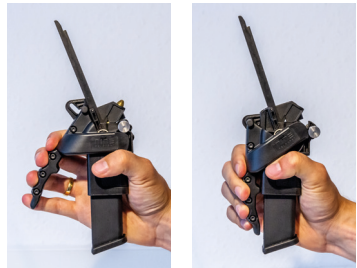
step 2 of 3: Insert one single round into the loading funnel.

CAUTION: always make sure that the bullet points forward (means: in the opposite direction to the lever).



Step 3 of 3: Hold the loading aid so that the rail is vertical and slightly tilted backwards (towards the lever). Now fully press the lever and then fully release it again. Repeat steps 2 and 3 until the magazine is fully loaded.

CAUTION: never try to push more rounds into a magazine than the maximum number specified by the manufacturer.



SAFETY INSTRUCTIONS WHEN USING THE LOADING FUNNEL

- › never insert the loading funnel upside down into the charging rail
- › never insert the bullets into the loading hopper in the wrong direction
- › never insert a caliber other than specified above

CAUTION: risk of swallowing the loading funnel (especially but not only for children).

IMPORTANT SAFETY INSTRUCTIONS FOR HANDLING THE LOADING AID

BASIC SAFETY INSTRUCTIONS

- › follow all notes and instructions in this manual
- › non-compliance may cause danger to life and health
- › do not use the loading aid if you are tired, feeling physically unwell or if you have previously consumed alcohol, drugs or medication
- › follow local applicable regulations for handling weapons, ammunition and weapon accessories
- › do not use the loading aid until you have read and understood the operating instructions in full
- › keep the operating instructions during the lifespan of the loading aid. Pass the operating instructions on to any subsequent owner or operator
- › only allow the loading aid to be used by persons who have read and understood these operating instructions in full

MISUSE (PROHIBITED USES)

- › misuse (e.g. opening of beverage cans, ...)
- › use of obviously damaged loading aids
- › non-compliance with the ammunition manufacturer's instructions
- › non-compliance with the instructions of the weapon manufacturer
- › non-compliance with the magazine manufacturer's instructions
- › third-party parts/tools must not be used on or with the loading aid
- › never use excessive force when loading or unloading magazines

AUTHORIZED USERS

Only persons permitted to use firearms are authorized to use the loading aid in locations approved for this purpose. International and national legislation must be always complied with.

ENVIRONMENT OF USE OF THE LOADING AID

Use is only permitted in places where firearms may also be used. In all other places, the loading aid must be stored safely and protected against unauthorized use. Use is only permitted in a dry environment with a temperature between -10°C (= 14°F) and +40°C (= 104°F). The charging aid must not be stored in direct sunlight. Max. permitted storage temperature: -10°C (= 14°F) to max. +40°C (= 104°F)

PREDICTABLE MISUSE AND DANGERS

- › never use adapters and magazines that do not match
- › remove malfunctions that affect safety immediately
- › only allow persons who are authorized to possess weapons and/or ammunition to use the loading aid
- › follow local regulations in force
- › do not use any violence when handling, cleaning or assembling the loading aid
- › always remove the magazine first and only then the adapter element, otherwise the magazine may fall to the ground in an uncontrolled manner
- › always hold the magazine firmly when releasing the magazine lock, otherwise the magazine may fall to the ground in an uncontrolled manner
- › only use the ammunition described above
- › always hold the loader vertically when loading the magazine so that the bullets can fall into the magazine in a controlled manner
- › overloading the magazine is not permitted
- › avoid any pollution
- › CAUTION: incorrect or careless pressing of the lever may result in pinched fingers
- › CAUTION: parts of the skin may be pinched when the lever is released („fish skin“ between thumb and forefinger may get into the area of the mechanism)
- › a damaged device may no longer be used. The repair may only be carried out by staff selected by the manufacturer
- › ammunition residues can accumulate in the loading aid
- › follow the instructions of the specific manufacturer when using the magazine and ammunition
- › exceptional strains, such as hard impacts or dropping of the loading aid can affect the safety
- › before each use, check the loading aid for any damage

EXCLUSION FROM LIABILITY AND WARRANTY

The **nine reloaded GmbH** accepts no liability and warranty for incidents due to:

- › non-compliance with these instructions
- › incorrect handling of the loading aid and accessories
- › negligence
- › improper handling
- › modifications, additions or alterations to the loading aid without the explicit and written permission of **nine reloaded GmbH**
- › use of accessories and spare parts from other manufacturers without the explicit and written permission of **nine reloaded GmbH**

THE MAG LOADER
to focus on the essential.

The logo for 'Nine Reloaded' is centered on a dark grey background. It features the word 'nine' in a lowercase, bold, sans-serif font. A small red dot is positioned to the left of the 'i'. To the right of 'nine' are three horizontal white bars of equal length, stacked vertically. Below this entire graphic, the word 'RELOADED' is written in a smaller, uppercase, sans-serif font.

nine
RELOADED